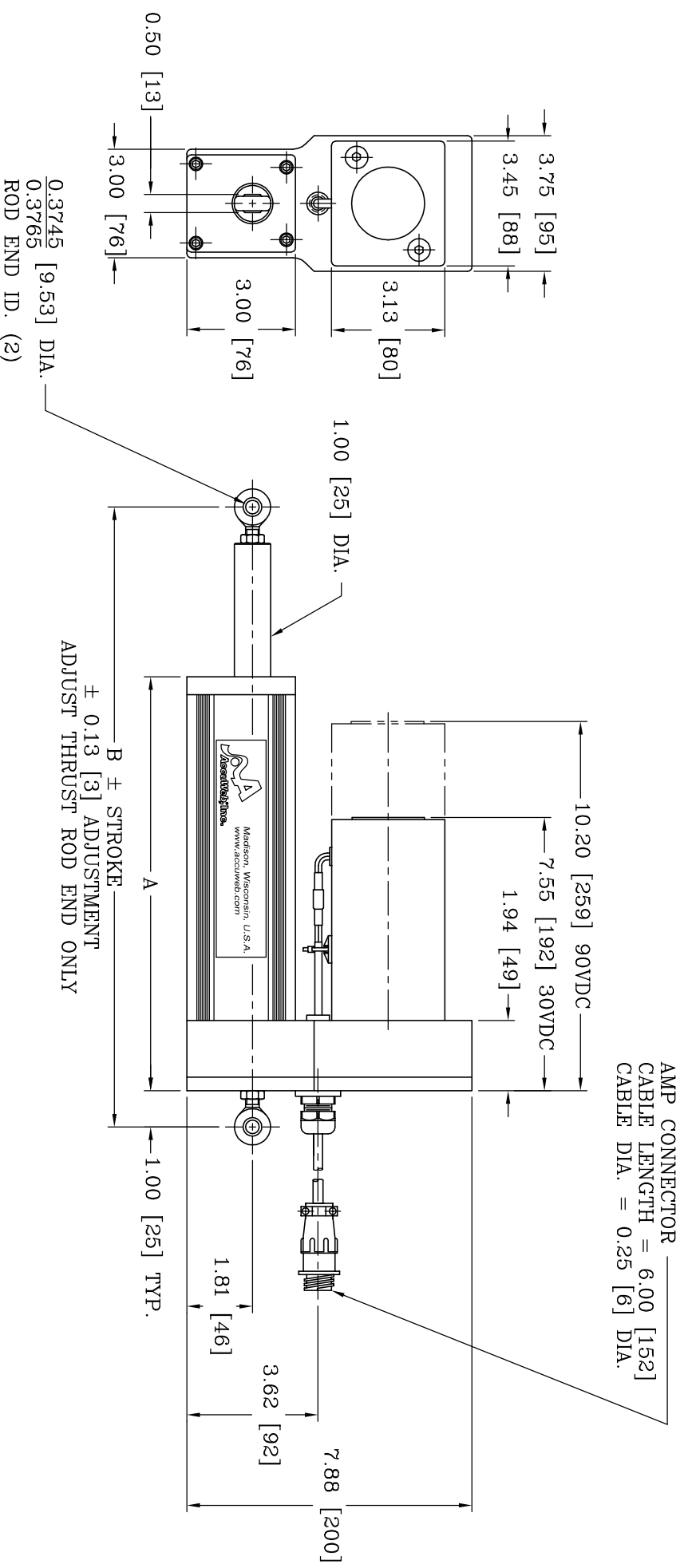


MODEL	MAX. STROKE	DIM. A	DIM. B
MNE-3	± 3.00 [76]	11.44 [291]	17.13 [435]
MNE-4	± 4.00 [102]	13.44 [341]	20.06 [510]
MNE-5	± 5.00 [127]	15.44 [392]	23.06 [586]



in. [mm.]

**AccuWeb, Inc.**  
 Madison, Wisconsin, U.S.A.  
 608-223-0625

REV. NO.	DESCRIPTION	DATE	REV. BY	ECN NO.	DWG. BY: KJP	SCALE: 1 = 2	DWG. NO: AC-5617	REV: B
B	REPLACED STICKER #A-0088-02 WITH #B-9048-02	5-02-01	SAF					
A	ADDED 90VDC MOTOR	7-10-00	KJW					

NOTE: This drawing and information contained therein are the proprietary property of AccuWeb, Inc.

TITLE: MNE-5 LINEAR ACTUATOR APPLICATION