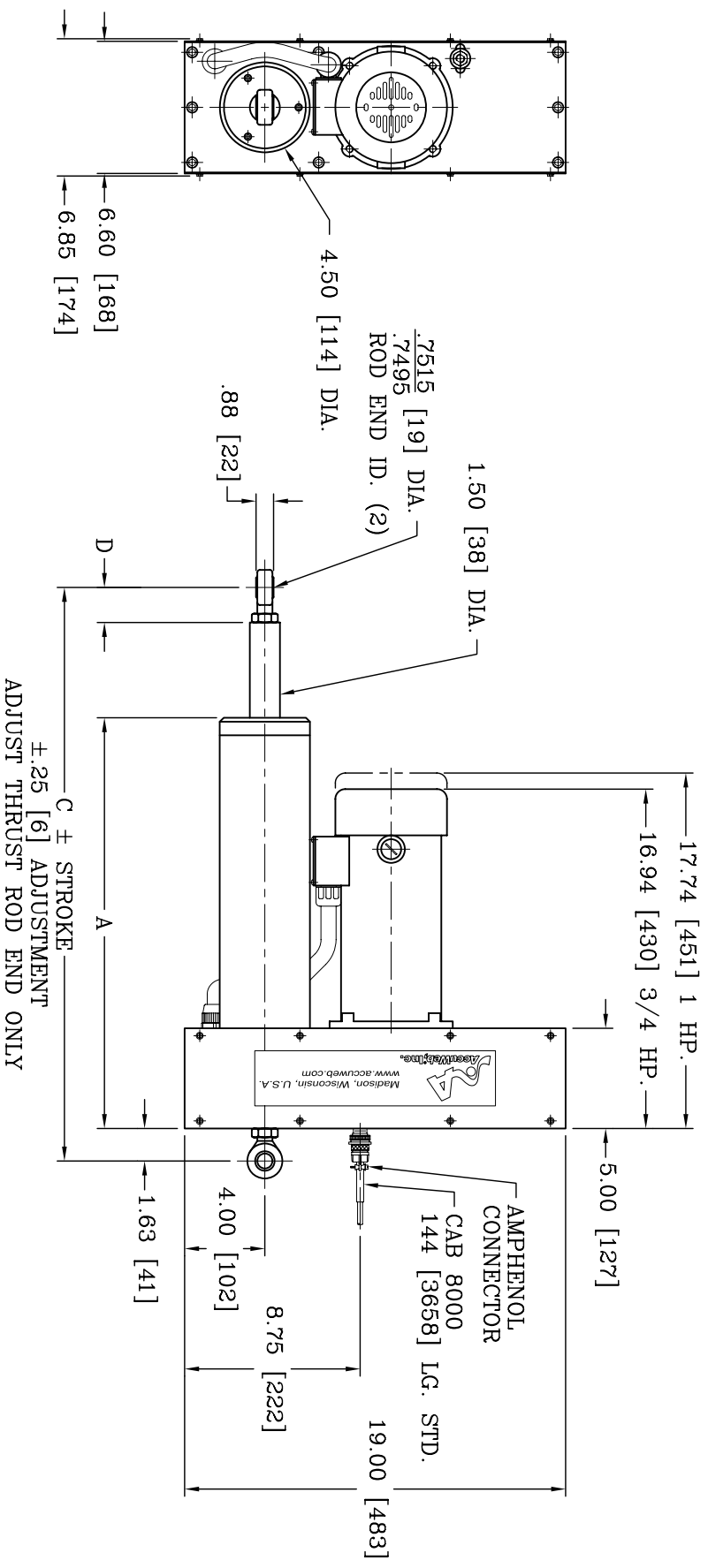


MODEL	MAX. STROKE	A	C	D
UHT-4	±4.00 [102]	20.50 [521]	28.63 [727]	1.75 [44]
UHT-6	±6.00 [152]	24.88 [632]	35.13 [892]	1.88 [48]
UHT-10	±10.00 [254]	32.88 [835]	47.63 [1210]	2.38 [60]

S. W.	
PART MODEL	<input type="checkbox"/>
ASSY. MODEL	<input type="checkbox"/>
PIC. MODEL	<input checked="" type="checkbox"/>
APP. DWG.	<input type="checkbox"/>
DETAIL DWG.	<input type="checkbox"/>
ASSY. DWG.	<input type="checkbox"/>



in. [mm.]

REV. NO.	DESCRIPTION	DATE	INT.	ECN	DWG. BY.	SCALE:	DWG. NO.	REV.
D	CHANGED TO HALLMARK MOTOR	1-28-09	DJB			1/4 = 1	AC-102	D
C	ADDED ADJUST STROKE	4-16-01	DJB	1223	KJP			
B	REDESIGN TO CURRENT CAD & ENG. STDS	5-30-95	KJP					
A	CONVERTED TO CAD & RELEASED	8-27-90	KJD					

**AccuWeb, Inc.**  
P.O. BOX 7816  
MADISON, WI.  
53707

**UHT- LINEAR ACTUATOR APPLICATION**

**NOTE:**  
This drawing and information contained therein are the proprietary property of AccuWeb, Inc.