

AccuBeam® 3

with Auto Setup

Digital Color Line Guide Sensor

The AccuBeam® 3 with auto setup allows fast calibration for the guiding of printed lines, edges, and patterns.

Part of the most advanced web guide system available today



The AccuBeam® 3 combines a linear array sensor with multiple LED illumination colors to detect all the colors in the visible light spectrum.

Like all AccuWeb Components, the AccuBeam® 3 includes many unique benefits:

- **Auto Setup** — automatically calibrates the optimum sensor parameters with a push of a button. The Auto Setup feature uses an enhanced sensing algorithm that can decipher the multiple sensing options within its field of view
- **Real Time Display** — the intuitive LCD display lets the operator view exactly what the sensor is seeing in real time. Operators can pre-select the guiding method, edge or line, of a printed line or pattern among visual clutter
- **AccuBeam Line Saver™** — The AccuBeam® 3 can be configured to work in tandem with a WideArray™ edge detector to maintain control of the web during splices or other printed line interruptions. If the line disappears, the WideArray™ edge detector immediately takes control of the edge until the line returns
- **Fast changeover** — the job recipe function allows the operator to store and instantly recall up to 25 past jobs
- **Compatible** — The AccuBeam 3 is compatible with the Micro 1000® and Micro 4000NET®. An optional auxiliary remote station is available for the inaccessible applications
- **Optimal Lighting Angle** — Multiple light sources provide three illumination angles or optimal lighting of materials with matte, glossy and holographic reflection characteristics sources

Intelligent display confirms accurate line recognition



Compatible with Micro 1000 and Micro 4000NET controllers



Optional Auxiliary Remote Station



Custom engineered 3-roll positive displacement guides with ideal line guide mounting available



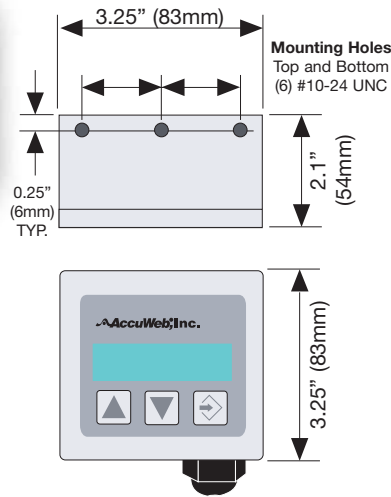
Manufactured in the United States
under Patents #5,834,877 and #5,274,573


AccuWeb, Inc.
www.accuweb.com

Select and specify AccuBeam® 3 for your next equipment or replacement web guide - and experience the digital difference.

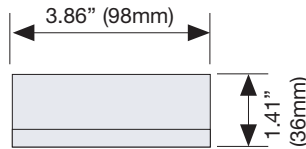
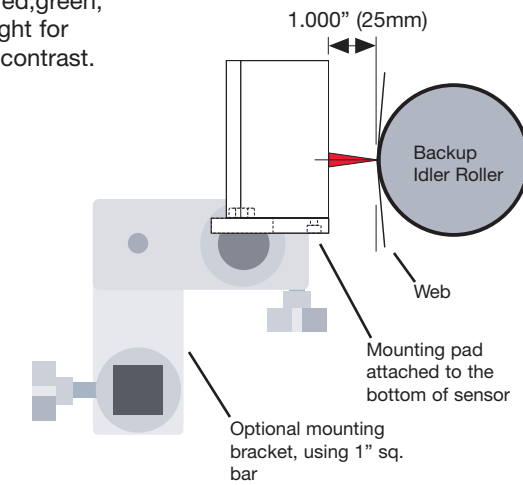


Overall Size

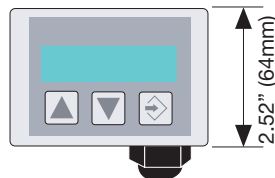


LED light sources produce red, green, or blue, light for optimum contrast.

Focal Distance and Mounting



Optional AR 1003-01 Remote Line Guide Station



You'll always get more value from AccuWeb

- Self-contained unit includes sensor, operator interface controls, and three color light sources with three independent light source positions in a compact, hardcoat anodized aluminum housing.
- Fast 20 MHz microcontroller performs frame-by-frame analysis of image captured on array sensor. Able to locate lines, edges or print patterns - even when surrounded by nearby graphics, registration marks or other features.
- Class I Division 1 hazardous environment capable with optional proof-of-purge system.



Specifications

Field of View:

- 0.625" (16mm)

LED Peak Emission Wavelengths:

- Blue - 468 nanometers
- Green - 525 nanometers
- Red - 660 nanometers

Focal Distance:

- 1.000" (25mm)

LED Lifetime:

- Life exceeds 100,000 hours

Sensor Resolution:

- 128 Pixel CMOS linear array sensor
- Resolves lines as narrow as 0.005" (0.13 mm) wide

Power:

- Supplied by web guide controller through serial cable (7VDC, 0.1A)

Line Loss Detection:

- Standard

Optional Equipment:

- Mounting bracket for a 1" (25mm) square bar
- Remote Line Guide Station



Toll free: (888) 422-2893 • Web site: www.accuweb.com

World Headquarters

P.O. Box 7816
Madison, WI 53707 U.S.A.

Phone: (608) 223-0625

Fax: (608) 223-0074